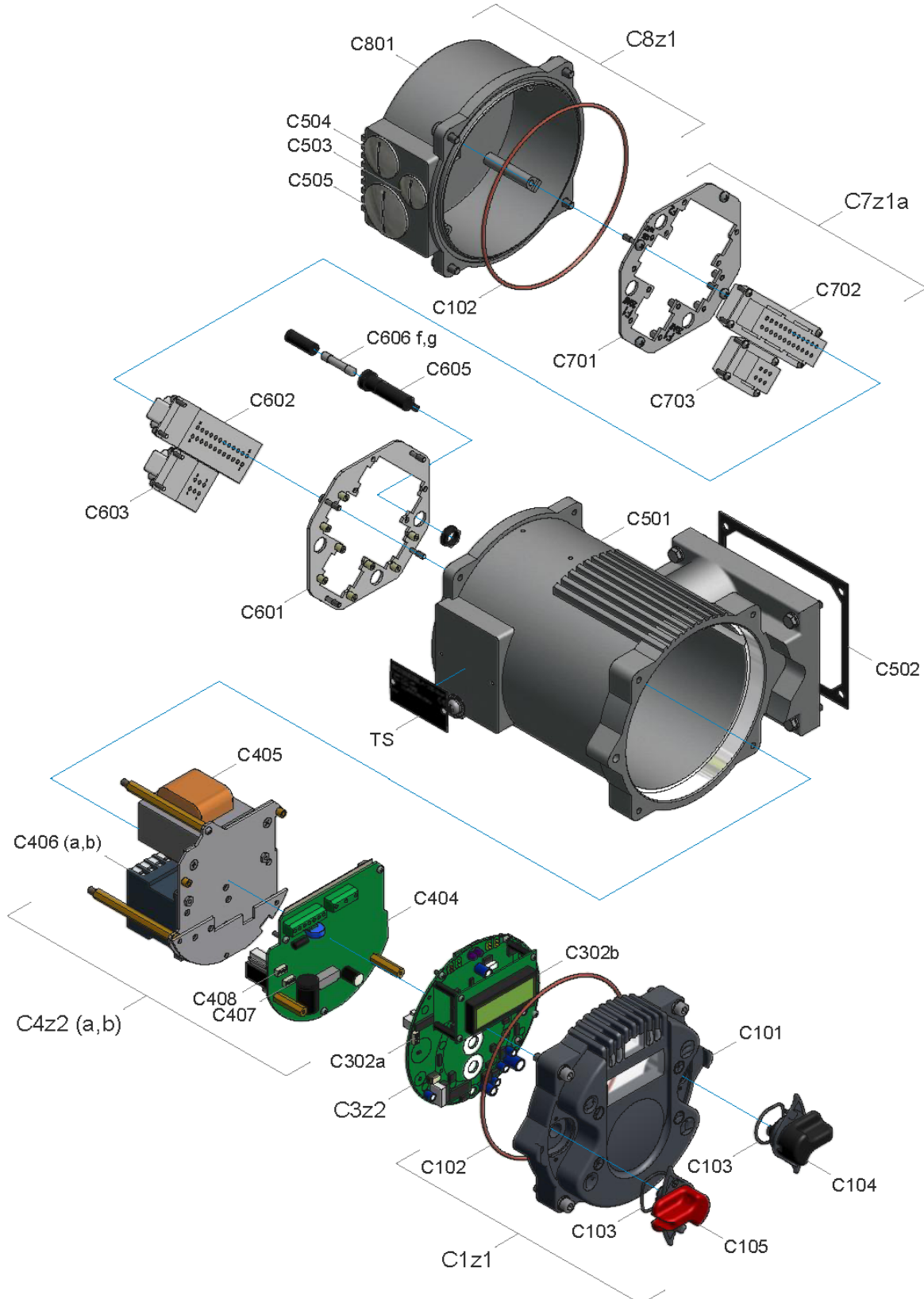
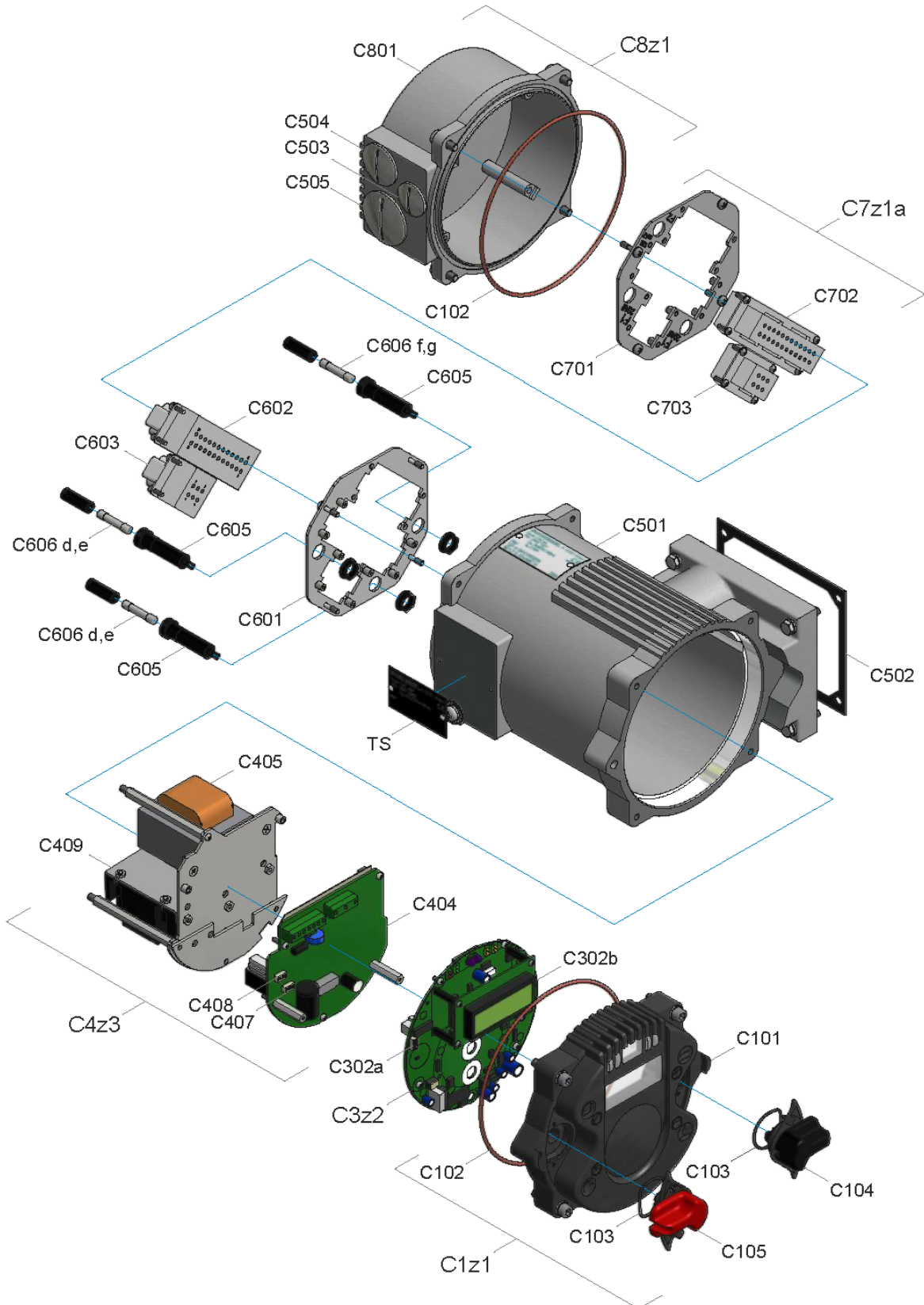


Spare part list for SMARTCON control unit in standard design

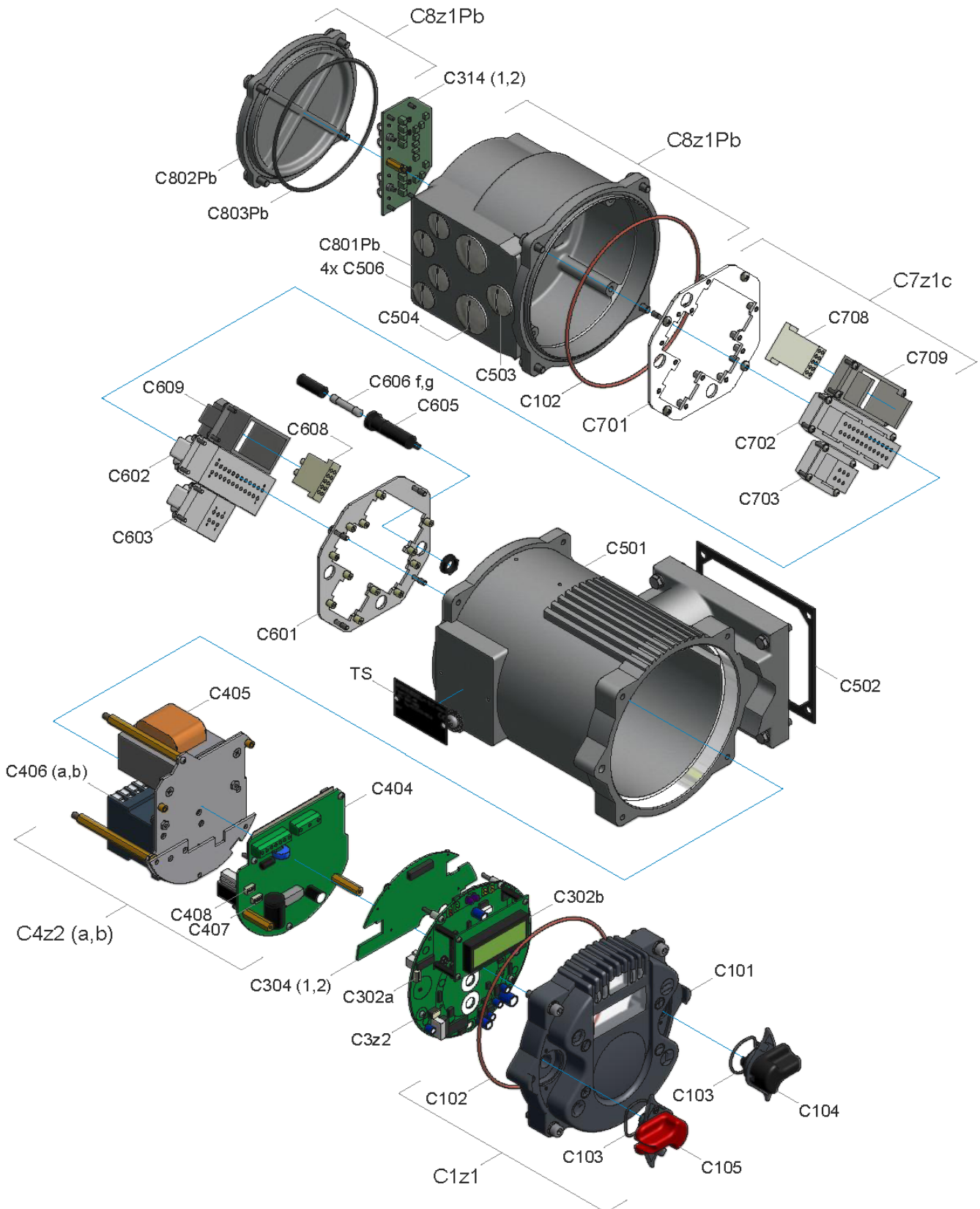
1 Version with mechanical reversing contactors



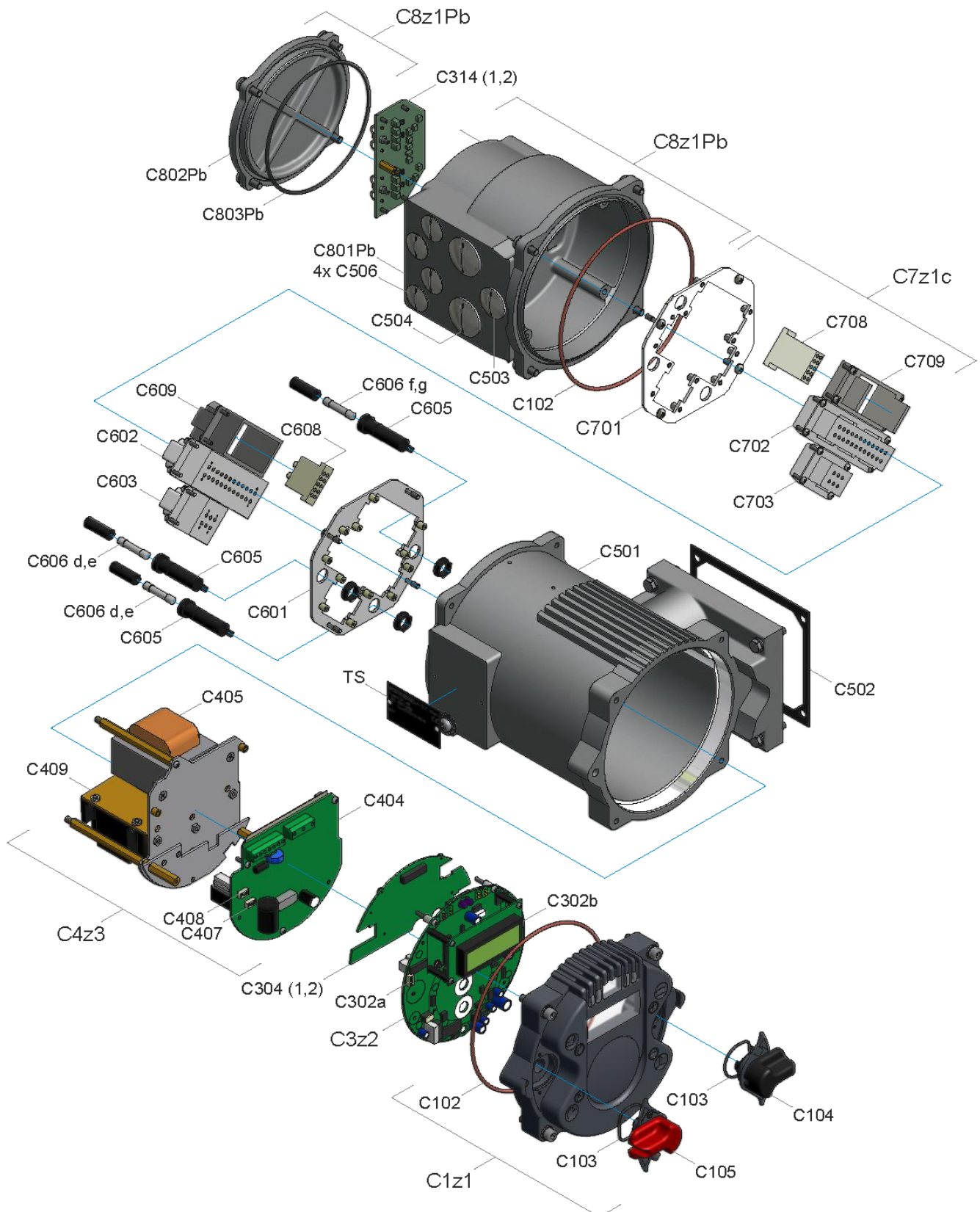
2 Version with thyristor reversing contactors



3 Version with Profibus and mechanical reversing contactors



4 Version with Profibus and thyristor reversing contactors



5 Spare part list

Part-Nr.	Description
C102	O-Ring
C103	O-Ring for operating switch red/back
C104	Operating switch black
C105	Operating switch red
C1z1	Cover E synthetic material complete
C302a	Fuse 375mA for Logic board
C302b	Fuse 500mA for Logic board
C304-1	Profibusprint DP1 1-channel
C304-2	Profibusprint DP2 2-channels
C314-1	Profibus connection board DP1 1-channel
C314-2	Profibus connection board DP2 2-channels
C3z2	Logic board with parametrisation accord to actuator fabrication number
C404	Basic board
C405	Transformer
C406a	mechanical reversing contactors mW4 for motor power up to 3.0kW(S2)/1.5kW(S4)
C406b	mechanical reversing contactors mW7K for motor power 3.0-5.5kW(S2)/1.5-3.0kW(S4)
C407	Fuse 1AT for Basic Board
C408	Fuse 500mAT for Basic Board
C409	Thyristor reversing contactors eW for motor power power up to 3.0kW
C4z2a	power supply unit mW4 for motor power up to 3.0kW(S2)/1.5kW(S4)
C4z2b	power supply unit mW7K for motor power 3.0-5.5kW(S2)/1.5-3.0kW(S4)
C4z3	power supply unit eW for motor power power up to 3.0kW
C501	Housing
C502	Flat gasket
C503	Nose cap M25x1.5
C504	Nose cap M32x1.5
C505	Nose cap M40x1.5
C506	Nose cap M20x1.5
C601	Mounting plate for plugs control unit
C602	Plug Han24E male for signals control unit
C603	Plug Han6E male for power supply control unit
C605	Fuse holder
C606d	Fuse 20Aff at motor power smaller 3,0kW (2.pcs per control unit)
C606e	Fuse 12,5 At at motor power =3kW (2.pcs per control unit)
C606f	Fuse 100mAT for control unit with mechanical/thyristor reversing contactors for motor power higher than 3x400V;50Hz
C606g	Fuse 125mAT for control unit with mechanical/thyristor reversing contactors for motor power up to 3x400V;50Hz
C608	Plug Profibus male control unit
C609	Frame for Plug Profibus control unit
C701	Mounting plate for plug customer site
C702	Plug Han24E female for signals customer site
C703	Plug Han6E female for power supply customer site
C708	Plug Profibus female customer site
C709	Frame for Plug Profibus customer site

5 Spare part list

Nr.	Bezeichnung
C7z1a	Mounting plate with plugs Han24E+Han6E customer site
C7z1c	Mounting plate with plugs Han24E+Han6E+Profibus customer site
C8z1	Customer cover A for connection room complete
C8z1Pb	Customer cover A type Profibus for connection room complete
CSCI-USB	SMART Interface for backup of customer datas consists of infrared dongle with cable and software

CAUTION: When ordering spare parts, you **must** provide the **serial number** (look type shield near the hand lever).

Use only original spare parts supplied by SCHIEBEL. Using other parts will render the warranty void.

Illustrations may differ from actual spare parts.

